



Analogous Dimmer for Navigation Devices in Mounting Case or for Front Panel Mounting

Q 96



Application

Analogous dimmer for one **Serana** device or any other navigation/indication device with analogous input for external dimming. The dimmer provides stepless adjustment of the illumination of the connected devices.

The analogous dimmer is available in two designs. The **dimmer for front panel mounting** is available as space saving rotary knob and in a **quadratic mounting case** 96 x 96 mm for mounting into control panels, machine tool consoles, or mosaic panels.

The dimmer in the mounting case is equipped with a pre-set night illumination which is defined in brightness so that it does not glare at night. The dimmer in the mounting case can be purchased in three different front designs. The design can be selected in white, yellow, or red.

Operating Principle

Linear potentiometer 10 k Ω , tolerance 20%, 1 W

Mechanical Data

Analogous dimmer in mounting case 96 mm x 96 mm

case details square housing suitable to be mounted in control panels, machine tool consoles, or mosaic panels, stackable

material of case NORYL
front window screened glass
colour of bezel black (similar to RAL 9005)
colours of front design white, yellow, red
position of use any
panel fixing 4 screw clamps
panel thickness 2 ... 40 mm
terminals screw terminals (0.25 ... 2.5 mm²)

dimensions (in mm) dimmer Q 96

bezel 96
case 90
panel cutout 92^{+0.8}
weight approx. 0.2 kg

Analogous dimmer for front panel mounting

panel cutout $\text{Ø}10^{+0.2}$ mm
panel thickness max. 2.5 mm
terminals screw terminals (0.25 ... 1.5 mm²)
weight approx. 0.05 kg

General Technical Data

front enclosure code "Exposed"
the device additionally fulfills IP 66 case front
rear enclosure code IP 20 dimmer in mounting case
IP 00 dimmer for front panel mounting

Auxiliary Supply

Analogous dimmer in mounting case 96 mm x 96 mm

auxiliary voltage 24 V DC for illumination
current consumption approx. 0.3 mA

Environmental

climatic suitability according to IEC 60945
device class "Exposed"
operating temperature range -25 ... +55 °C
storage temperature range -25 ... +70 °C
relative humidity \leq 95%, non-condensing

Standards and Certificates

Dimmer designed as admitted accessory for SERANA-Q 96, SERANA-Q 144 in the MED Certificates:



Rudder angle indicator, No: MEDB00002FW
Rate of turn indicator, No: MEDB00002GE
Propeller revolution indicator, No: MEDB00002GC

DIN EN 60 529 Enclosure codes by housings (IP-code)

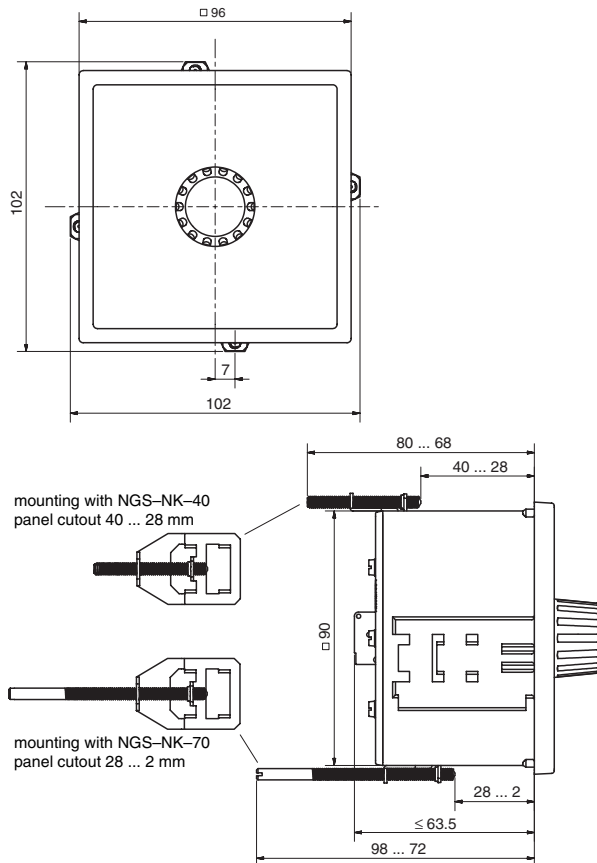
Maritime navigation and radiocommunication equipment and systems – IEC 60945
General requirements –
Methods of testing and required test results



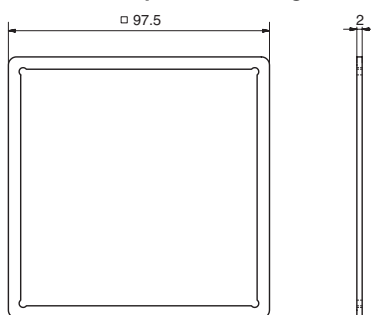
Analogous Dimmer for Navigation Devices in Mounting Case or for Front Panel Mounting

Dimensions

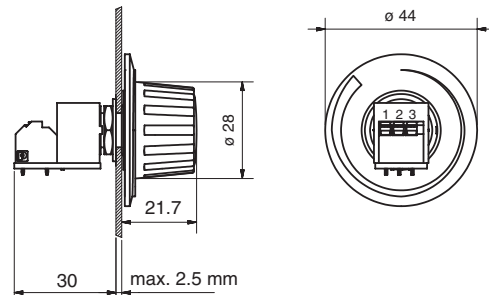
Analogous dimmer in mounting case 96 mm x 96 mm



Seal for front panel mounting



Analogous dimmer for front panel mounting

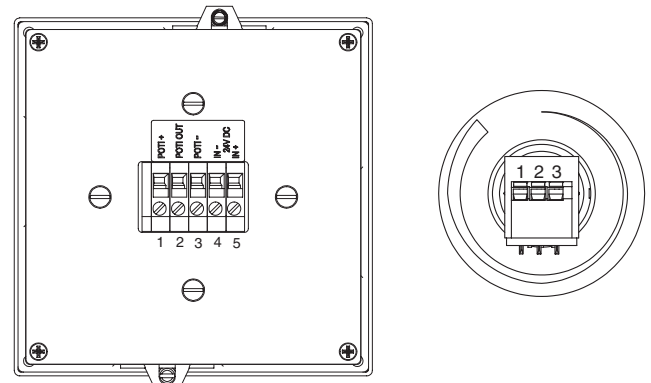


(dimensions in mm)

Terminals

Analogous dimmer in mounting case 96 mm x 96 mm

for front panel mounting



No. Terminal Description

- | No. | Terminal | Description |
|-----|----------|--|
| 1 | POTI+ | + potentiometer for brightness adjustment |
| 2 | POTI IN | wiper potentiometer for brightness adjustment |
| 3 | POTI- | - potentiometer for brightness adjustment |
| 4 | IN- | -24 V DC for illumination (mounting case only) |
| 5 | IN+ | +24 V DC for illumination (mounting case only) |

Weigel Meßgeräte GmbH

Postfach 720 154 • 90241 Nürnberg • Phone: 0911/42347-0
 Erlenstraße 14 • 90441 Nürnberg • Fax: 0911/42347-39
 Sales: Phone: 0911/42347-94
 Internet: <http://www.weigel-messgeraete.de>
 e-mail: vertrieb@weigel-messgeraete.de

– specifications subject to change without notice; date of issue 04/18 –

